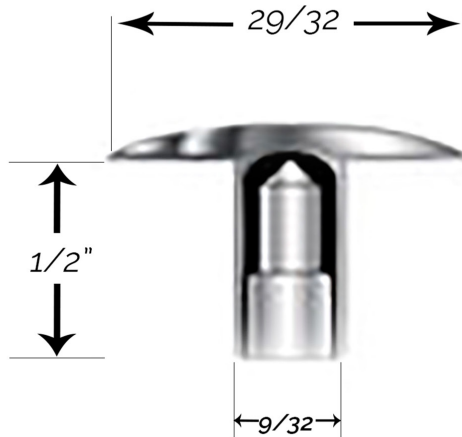
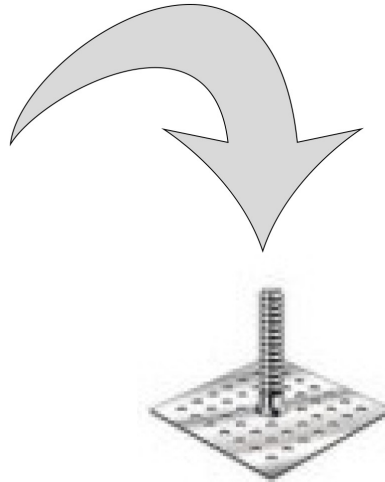




MUSHROOM CAPS



Mushroom Cap covers the Annular Ring Navy Stud



DESCRIPTION

Mushroom caps, also known as Navy caps are used with Annular Ring Navy Studs. Normally used for insulating boats/ship hulls and is covered by a Military Spec. A special Mushroom style Drive-On cap is used with these hangers, to secure the insulation.

Size: 3/16" dia

Material: Aluminum

Visit our website at www.StudWeldProd.com or email Info@StudWeldProd.com

Downey, CA

9459 Washburn Rd
Downey CA 90242
Ph: 800-252-1919
Fax: 562-862-3022

Hayward, CA

2391 American Ave
Hayward, CA 94545
Ph: 510-782-7883
Fax: 510-782-7918

Renton, WA

927 Thomas Ave SW
Renton, WA 98057
Ph: 425-656-9787
Fax: 425-656-9786

Phoenix, AZ

3535 E Wier Ave #4
Phoenix, AZ 85040
Ph: 602-305-9350
Fax: 602-305-4890