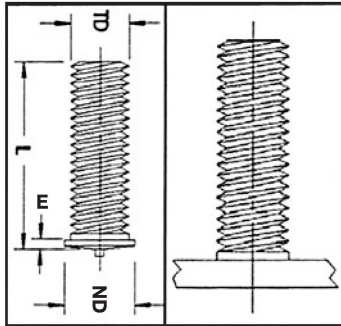


NFL NON-FLANGED

CD Non-Flanged UN-2A Stud



TYPE NFL STUD
FULLY THREADED CAPACITOR
DISCHARGE STUD - NON FLANGED
NO FERRULE NEEDED

| TD | ND | E | E (aluminum) | Length Tolerance |
|--------|-------|-------|-----------------|---------------------|
| 4 40 | 0.111 | 0.035 | .050/.040 | 0.015/-0.005 |
| 6 32 | 0.137 | 0.035 | .050/.040 | 0.015/-0.005 |
| 8 32 | 0.163 | 0.035 | .050/.040 | 0.015/-0.005 |
| 10 24 | 0.189 | 0.040 | .050/.040 | 0.015/-0.005 |
| 10 32 | 0.189 | 0.040 | .050/.040 | 0.015/-0.005 |
| 14 20 | 0.249 | 0.045 | .050/.040 | 0.015/-0.005 |
| 516 18 | 0.311 | 0.050 | //////// | 0.015/-0.005 |
| 38 16 | 0.374 | 0.065 | //////// | 0.015/-0.005 |

E = flanged thickness, FD = flanged dia., TD = thread dia., ND = nominal dia.

| L Length | #4 40 | #6 32 | #8 32 | #10 24 | 1/4 20 | 5/16 18 | 3/8 16 |
|-------------|------------------|------------------|------------------|-------------------|-------------------|--------------------|-------------------|
| 1/4 | NFL-- 440 14 | NFL-- 632 14 | NFL-- 832 14 | NFL-- 1024 14 | NFL-- 1420 14 | NFL-- 51618 14 | NFL-- 3816 14 |
| 3/8 | NFL-- 440 38 | NFL-- 632 38 | NFL-- 832 38 | NFL-- 1024 38 | NFL-- 1420 38 | NFL-- 51618 38 | NFL-- 3816 38 |
| 1/2 | NFL-- 440 12 | NFL-- 632 12 | NFL-- 832 12 | NFL-- 1024 12 | NFL-- 1420 12 | NFL-- 51618 12 | NFL-- 3816 12 |
| 5/8 | NFL-- 440 58 | NFL-- 632 58 | NFL-- 832 58 | NFL-- 1024 58 | NFL-- 1420 58 | NFL-- 51618 58 | NFL-- 3816 58 |
| 3/4 | NFL-- 440 34 | NFL-- 632 34 | NFL-- 832 34 | NFL-- 1024 34 | NFL-- 1420 34 | NFL-- 51618 34 | NFL-- 3816 34 |
| 7/8 | NFL-- 440 78 | NFL-- 632 78 | NFL-- 832 78 | NFL-- 1024 78 | NFL-- 1420 78 | NFL-- 51618 78 | NFL-- 3816 78 |
| 1 | NFL-- 440 1 | NFL-- 632 1 | NFL-- 832 1 | NFL-- 1024 1 | NFL-- 1420 1 | NFL-- 51618 1 | NFL-- 3816 1 |
| 1 1/4 | NFL-- 440 114 | NFL-- 632 114 | NFL-- 832 114 | NFL-- 1024 114 | NFL-- 1420 114 | NFL-- 51618 114 | NFL-- 3816 114 |
| 1 1/2 | NFL-- 440 112 | NFL-- 632 112 | NFL-- 832 112 | NFL-- 1024 112 | NFL-- 1420 112 | NFL-- 51618 112 | NFL-- 3816 112 |
| 1 3/4 | NFL-- 440 134 | NFL-- 632 134 | NFL-- 832 134 | NFL-- 1024 134 | NFL-- 1420 134 | NFL-- 51618 134 | NFL-- 3816 134 |

*-- (insert material type)

Material: Mild Steel (MS), Stainless Steel (SS), Aluminum (AL), and Brass (BR)

Plating: All mild steel studs are copper plating (nickle plating upon request)

Annealing: all studs are annealed where required.

STUD WELDING PRODUCTS, INC.

Los Angeles • San Francisco • Seattle • Phoenix

Toll Free: 800.252.1919 • www.studweldprod.com