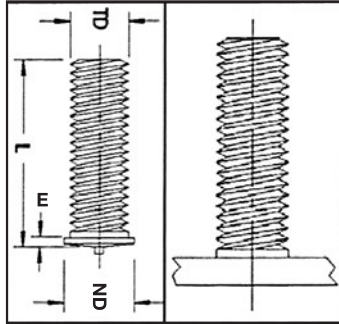


# NFL NON-FLANGED

CD Non-Flanged UN-2A Stud



TYPE NFL STUD  
FULLY THREADED CAPACITOR  
DISCHARGE STUD - NON FLANGED  
NO FERRULE NEEDED

TD	ND	E	E (aluminum)	Length Tolerance
4 40	0.111	0.035	.050/.040	0.015/-0.005
6 32	0.137	0.035	.050/.040	0.015/-0.005
8 32	0.163	0.350	.050/.040	0.015/-0.005
10 24	0.189	0.040	.050/.040	0.015/-0.005
10 32	0.189	0.040	.050/.040	0.015/-0.005
14 20	0.249	0.045	.050/.040	0.015/-0.005
516 18	0.311	0.050	//////////	0.015/-0.005
38 16	0.374	0.065	//////////	0.015/-0.005

E = flanged thickness, FD = flanged dia., TD = thread dia., ND = nominal dia.

L Length	#4 40	#6 32	#8 32	#10 24	1/4 20	5/16 18	3/8 16
1/4	NFL-- 440 14	NFL-- 632 14	NFL-- 832 14	NFL-- 1024 14	NFL-- 1420 14	NFL-- 51618 14	NFL-- 3816 14
3/8	NFL-- 440 38	NFL-- 632 38	NFL-- 832 38	NFL-- 1024 38	NFL-- 1420 38	NFL-- 51618 38	NFL-- 3816 38
1/2	NFL-- 440 12	NFL-- 632 12	NFL-- 832 12	NFL-- 1024 12	NFL-- 1420 12	NFL-- 51618 12	NFL-- 3816 12
5/8	NFL-- 440 58	NFL-- 632 58	NFL-- 832 58	NFL-- 1024 58	NFL-- 1420 58	NFL-- 51618 58	NFL-- 3816 58
3/4	NFL-- 440 34	NFL-- 632 34	NFL-- 832 34	NFL-- 1024 34	NFL-- 1420 34	NFL-- 51618 34	NFL-- 3816 34
7/8	NFL-- 440 78	NFL-- 632 78	NFL-- 832 78	NFL-- 1024 78	NFL-- 1420 78	NFL-- 51618 78	NFL-- 3816 78
1	NFL-- 440 1	NFL-- 632 1	NFL-- 832 1	NFL-- 1024 1	NFL-- 1420 1	NFL-- 51618 1	NFL-- 3816 1
1 1/4	NFL-- 440 114	NFL-- 632 114	NFL-- 832 114	NFL-- 1024 114	NFL-- 1420 114	NFL-- 51618 114	NFL-- 3816 114
1 1/2	NFL-- 440 112	NFL-- 632 112	NFL-- 832 112	NFL-- 1024 112	NFL-- 1420 112	NFL-- 51618 112	NFL-- 3816 112
1 3/4	NFL-- 440 134	NFL-- 632 134	NFL-- 832 134	NFL-- 1024 134	NFL-- 1420 134	NFL-- 51618 134	NFL-- 3816 134

\*-- (insert material type)

**Material:** Mild Steel (MS), Stainless Steel (SS), Aluminum (AL), and Brass (BR)

**Plating:** All mild steel studs are copper plating (nickle plating upon request)

**Annealing:** all studs are annealed where required.

**STUD WELDING PRODUCTS, INC.**

Los Angeles • San Francisco • Seattle • Phoenix

Toll Free: 800.252.1919 • www.studweldprod.com