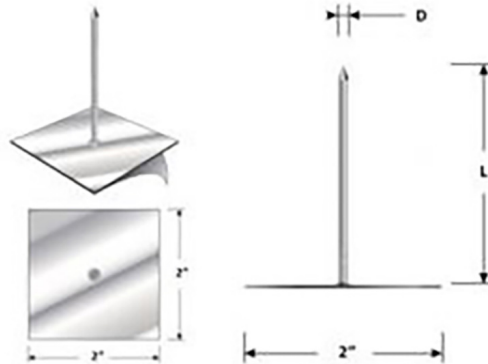




## SELF STICK HANGERS



### DESCRIPTION

Self-Adhering Hangers are designed to attach insulation to clean, dry, smooth, non-porous surfaces. After the hanger is installed, the insulation is impaled over the spindle & secured with a selflocking washer. Due to the nature of adhesives, it is important that the user read & follow the guidelines. It is the responsibility of the user to determine the suitability of the intended application.

*Important Guidelines On Next Page*

### SPECIFICATIONS

DIAMETER (D)	P	LENGTH (L)
12 ga (.106)	2" square w/tape	1"
12 ga (.106)	2" square w/tape	1-5/8"
12 ga (.106)	2" square w/tape	2"
12 ga (.106)	2" square w/tape	2-1/2"
12 ga (.106)	2" square w/tape	3-1/2"
12 ga (.106)	2" square w/tape	4-1/2"
12 ga (.106)	2" square w/tape	5-1/2"
12 ga (.106)	2" square w/tape	6-1/2"
Galvanized steel (standard)		

Visit our website at [www.StudWeldProd.com](http://www.StudWeldProd.com) or email [Info@StudWeldProd.com](mailto:Info@StudWeldProd.com)

**Downey, CA**  
 9459 Washburn Rd  
 Downey CA 90242  
 Ph: 800-252-1919  
 Fax: 562-862-3022

**Hayward, CA**  
 2391 American Ave  
 Hayward, CA 94545  
 Ph: 510-782-7883  
 Fax: 510-782-7918

**Kent, WA**  
 7820 S. 210th St #C103  
 Kent, WA 8032  
 Ph: 425-656-9787  
 Fax: 425-656-9786

**Phoenix, AZ**  
 3535 E Wier Ave #4  
 Phoenix, AZ 85040  
 Ph: 602-305-9350  
 Fax: 602-305-4890

# SELF STICK HANGERS IMPORTANT NOTICE

## Important Notice to Purchaser and Any User

### WARRANTY DISCLAIMER AND LIMITATIONS

ALL STATEMENTS, RECOMMENDATIONS AND TECHNICAL INFORMATION CONTAINED HEREIN ARE BASED ON TESTS WE BELIEVE TO BE RELIABLE, BUT THE ACCURACY OR COMPLETENESS THEREOF IS NOT GUARANTEED. THE PURCHASER AND USER AGREE THAT THERE ARE NO WARRANTIES, EXPRESSED OR IMPLIED, OF MERCHANTABILITY, FITNESS FOR ANY PARTICULAR PURPOSE OR OTHERWISE AND, IN ANY EVENT, THE MANUFACTURER'S AND SELLER'S ONLY OBLIGATION SHALL BE TO REPLACE ONLY THAT PORTION OF THE SHIPMENT PROVED TO BE DEFECTIVE. NEITHER THE MANUFACTURER NOR THE SELLER SHALL BE LIABLE FOR ANY INJURY, LOSS OR DAMAGE, DIRECT OR CONSEQUENTIAL, ARISING OUT OF THE APPLICATION, USE OR INABILITY TO USE THIS PRODUCT, WHETHER DUE IN WHOLE OR IN PART TO MANUFACTURER'S NEGLIGENCE, DEFECTIVE MATERIAL OR WORKMANSHIP, DESIGN, OR WHETHER DUE TO ANY OTHER CAUSE. BEFORE ATTEMPTING TO USE THE PRODUCT, THE USER SHOULD DETERMINE ITS SUITABILITY FOR INTENDED APPLICATION AND PURPOSE. THIS DISCLAIMER OF LIABILITY AND LIMITATION OF LIABILITY MAY NOT BE ALTERED EXCEPT BY AGREEMENT SIGNED BY THE OFFICERS OF THE MANUFACTURER AND SELLER.

### GUIDELINES FOR SELF-ADHERING HANGERS

**USE:** These hangers are designed to mechanically hold insulation material to various surfaces. It is very important for the user to determine the suitability of this product for each application. Discretion must be used in application, and we recommend that the user first perform a test application to satisfy himself of the desirability of using the product for the user's particular purpose.

**CAUTION:** The user is responsible for determining the suitability of the application. Hangers must be applied to a clean, dry, non-porous surface that is free of all oil, films, dust, rust, etc. Self-adhering hangers are not recommended for concrete or painted surfaces. It is important that they not be used where operating temperatures can exceed 150° Fat the point of adhesion. Hangers should not be used on ceilings or roofs of metal buildings or any surface the reverse side of which may be exposed to heat concentration from sunlight, etc., direct or otherwise. Load per anchor should not exceed 3 lbs.

**APPLICATION:** Best results are obtained when ambient temperature is above 40° Fat the time of application. Remove the release paper from the base plate and apply hanger to a suitable flat surface. A firm straight, forward pressure should be used. Do not twist. Due to the quick-tack nature of the adhesive, it is very important that the release paper not be removed until ready to apply the hanger. Insulation may be applied immediately after properly securing the hanger. Hangers should be stored at 75° F and 50% relative humidity. It is important that stock be rotated. Shelf life is estimated at 2 years if stored as recommended.

