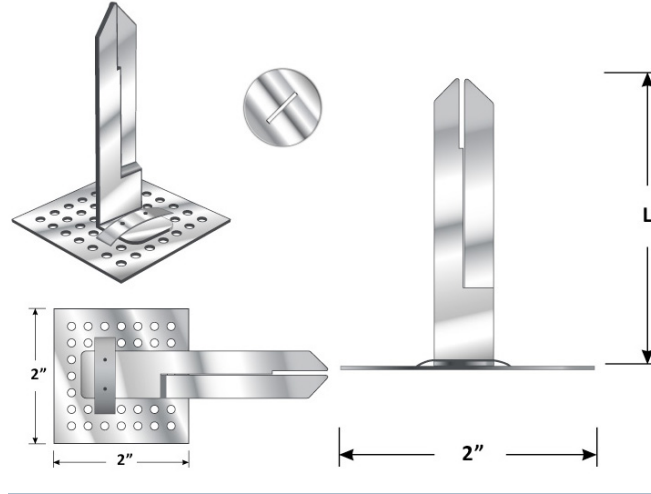




## PRONGED INSULATION HANGERS



### DESCRIPTION

This specialty type perforated hanger is used to secure insulation. After the insulation is impaled over the prongs, a slotted washer is installed. AGM TACTOO adhesive is used to install the plates.

	PRONG INSULATION HANGERS
<b>LENGTH</b>	2-3/4", for use up to 2" insulation 4-3/4", for use up to 4" insulation
<b>MATERIAL</b>	Galvanized steel perforated plate Galvanized steel prongs
<b>PACKAGING</b>	500 pcs/carton

Visit our website at [www.StudWeldProd.com](http://www.StudWeldProd.com) or email [Info@StudWeldProd.com](mailto:Info@StudWeldProd.com)

**Downey, CA**  
9459 Washburn Rd  
Downey CA 90242  
Ph: 800-252-1919  
Fax: 562-862-3022

**Hayward, CA**  
2391 American Ave  
Hayward, CA 94545  
Ph: 510-782-7883  
Fax: 510-782-7918

**Renton, WA**  
927 Thomas Ave SW  
Renton, WA 98057  
Ph: 425-656-9787  
Fax: 425-656-9786

**Phoenix, AZ**  
3535 E Wier Ave #4  
Phoenix, AZ 85040  
Ph: 602-305-9350  
Fax: 602-305-4890