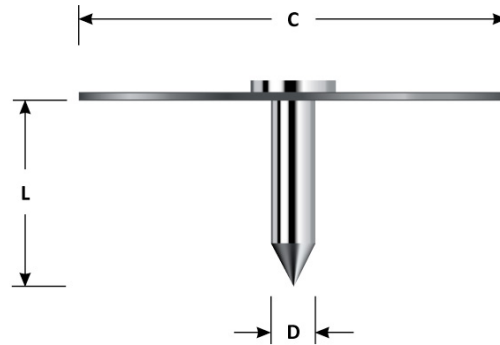




## DYNAPOINT® RESISTANCE TYPE CUPPED WELD PINS



SPECIFICATIONS		
D	C	L
.135	1"	1/2" min
<b>MATERIAL</b>	Spindle is mild steel Washer is Mild Steel	
<b>PLATING</b>	Zinc/galvanized	
<i>longer lengths available upon request</i>		

PART NO	PACK	WGT/M	RECOMMENDED USE
RP-9-0500-1	1M	6.5	For 1/2" Duct Liner
RP-9-0500-5	5M	6.5	For 1/2" Duct Liner
RP-9-0750-1	1M	7.6	For 1" Duct Liner
RP-9-0750-2	5M	7.6	For 1" Duct Liner
RP-9-1000-1	1M	8.6	For 1" High Density Duct Liner
RP-9-1000-5	5M	8.6	For 1" High Density Duct Liner

Visit our website at [www.StudWeldProd.com](http://www.StudWeldProd.com) or email [Info@StudWeldProd.com](mailto:Info@StudWeldProd.com)

**Downey, CA**  
9459 Washburn Rd  
Downey CA 90242  
Ph: 800-252-1919  
Fax: 562-862-3022

**Hayward, CA**  
2391 American Ave  
Hayward, CA 94545  
Ph: 510-782-7883  
Fax: 510-782-7918

**Kent, WA**  
7820 S. 210th St #C103  
Kent, WA 8032  
Ph: 425-656-9787  
Fax: 425-656-9786

**Phoenix, AZ**  
3535 E Wier Ave #4  
Phoenix, AZ 85040  
Ph: 602-305-9350  
Fax: 602-305-4890