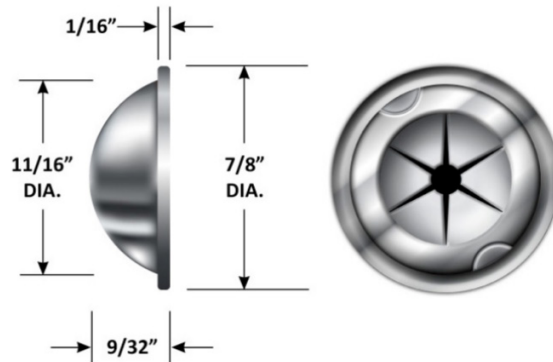




DOME CAPS



DESCRIPTION

Dome caps are designed to be used where appearance and safety are factors when installing insulation, or fabricating blankets or pads. The caps are used to cover the nail point on weld pins, hangers, lacing anchors & quilt pins. For best results, pins should be 1/4" longer than the insulation thickness. Secure insulation with a self-locking washer, then install the dome cap to cover the nail point

SPECIFICATIONS

| PART NO | DOME FINISH | WEIGHT/M |
|---------|-----------------|----------|
| ADC-** | Plain Aluminum | 4 |
| BDC-** | Black Aluminum | 4 |
| SDC-** | Stainless Steel | 6 |
| WDC-** | White Aluminum | 4 |

** Specify gauge when ordering
Material: all caps have a stainless steel insert

Visit our website at www.StudWeldProd.com or email Info@StudWeldProd.com

Downey, CA
9459 Washburn Rd
Downey CA 90242
Ph: 800-252-1919
Fax: 562-862-3022

Hayward, CA
2391 American Ave
Hayward, CA 94545
Ph: 510-782-7883
Fax: 510-782-7918

Kent, WA
7820 S. 210th St #C103
Kent, WA 8032
Ph: 425-656-9787
Fax: 425-656-9786

Phoenix, AZ
3535 E Wier Ave #4
Phoenix, AZ 85040
Ph: 602-305-9350
Fax: 602-305-4890